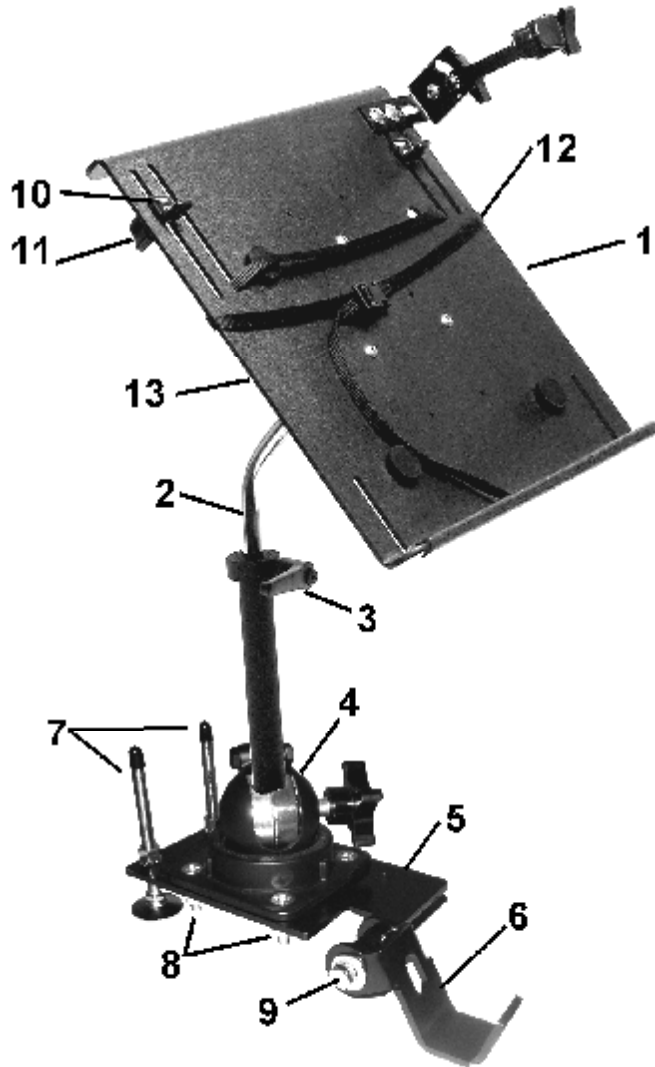


Trek Desk



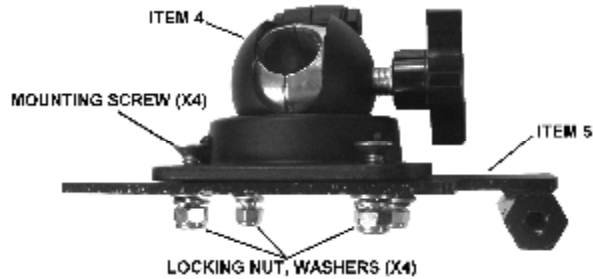
Item	Qty.	Description
1	1	Computer Table
2	1	Pedestal
3	1	Ratcheting Lever
4	1	Swivel Base
5	1	Base Plate
6	1	Mounting Fork
7	2	Support Foot
8	4	Mounting Screws
9	1	Mounting Fork Hardware
10	2	L Bracket
11	2	T Knob
12	1	Nylon Strap
13	1	Swivel Joint (Hidden)

Trek No-Drill shown with optional
Screen Support (10-45/90SCRN)

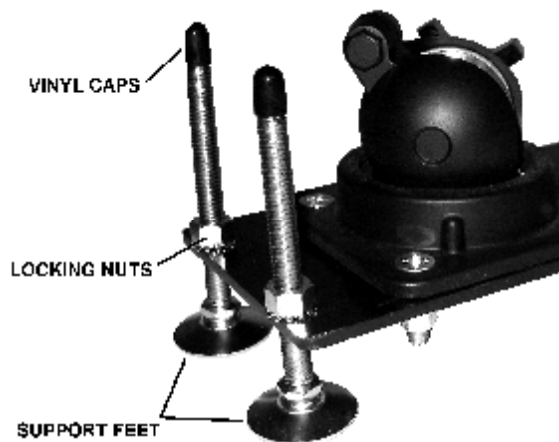


Trek Drill

Assemble Base



1. Align the (4) holes in the Swivel Base with the (4) holes in the Base Plate. Bolt together base to plate with flat head screws, washers, lock washers and locking nuts.















2. Screw Support Feet into threaded holes at end of base plate. Screw on locking nuts to support feet. Do not completely tighten.



3. Attach Mounting Fork to Base Plate with 1-1/4" Bolt, Lock Washer and Washer. Refer to Page 3 for correct mounting fork configuration.

Mounting Fork Configurations

<p>10-3803SH</p> 	<p>10-3603SSH</p> 
<p>10-3603WS</p> 	<p>10-3603NF</p> 
<p>10-3603F</p> 	<p>10-3603TD</p> 
<p>10-3603SRT</p> 	<p>10-3603TU</p> 
<p>10-3603ST</p> 	<p>10-3803H</p> 
<p>10-3603D</p> 	<p>DRILL BASE</p> 

Install Base



Fig. 1



Fig. 2

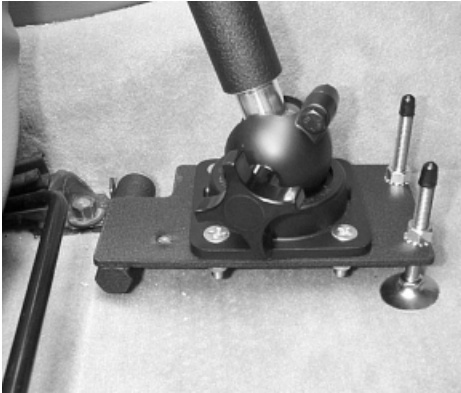


Fig. 3

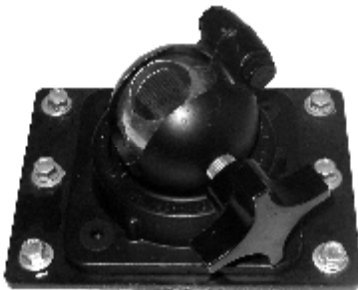
No Drill Base

1. Locate passenger seat bolt closest to transmission hump. It may be necessary to remove trim pieces to access the seat bolt. (Fig. 1)
2. Depending on the mounting fork type (through hole or slotted) loosen or remove the seat bolt.
3. Position mounting fork & base assembly as shown. Fully retighten seat bolt. (Fig. 2)
4. Using either a flathead screwdriver or 1/4" socket, screw the support feet down until base is solid. Tighten locking nuts and install rubber caps on ends of support feet. (Fig. 3)

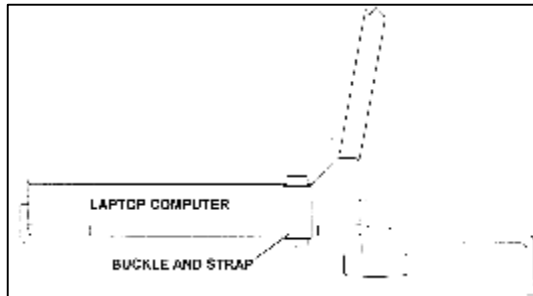
Note –Base may or may not be level once installation is complete.

Drill Base

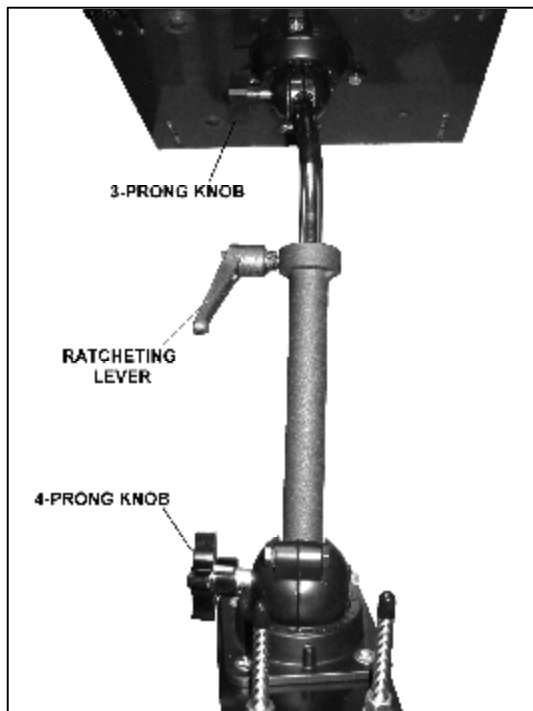
1. Attach Swivel Base to Drill Plate using (4) 1/2" flathead screws and 5/16" hex key.
2. Locate a flat area suitable for mounting. The passenger floor and transmission hump are ideal locations.
3. Equip a drill with a 3/8" socket. Drive (6) 1-1/2" self-drilling screws through base and into floor. (IMPORTANT – Before drilling, verify that screws will not interfere with other components of vehicle.)



Configure Table & Adjustment



1. Using the knobs underneath the table, set the pressure tabs to a position that will allow you to “snap” your computer in place securely.
2. Secure the computer in place with the strap in a fashion that will accommodate easy access to the side release buckle. The preferred method is to strap the open computer at the top portion above the function keys. This will allow you to shut the laptop without adjusting the strap.



1. Insert small end of pedestal into swivel joint on underside of table. Tighten 3-prong knob to secure.
 2. Insert large end of pedestal into swivel base. Tighten 4-prong knob to secure.
- Use the ratcheting lever to adjust height and rotation.
 - Use the 4-prong knob to adjust rotation and angle of pedestal or to remove pedestal from base.
 - Use the 3-prong knob to adjust rotation and angle of computer table or to remove table from pedestal.